

POWNAL FIRE PROT. ASSOC. PUMPER/TANKER

TID NO. 13866



BODY

- Bolted Painted Stainless Steel Body
- ROM Roll-Up Doors
- Rear Slide-In Ladder and Pike Pole Storage
- Above Compartment Hard Suction Storage
- Storage for 8 SCBA Bottles in Wheel Wells
- Toyne Custom Under Step Storage
- Roll-Out Storage Trays
- In-Compartment Mounted SCBA Brackets
- Swing-Out Tool Board

CHASSIS

- Freightliner M2 112 2-Door Chassis
- Detroit Diesel ISL 9 450 Engine
- 4000 EVS Transmission
- Back-Up Camera

TANK

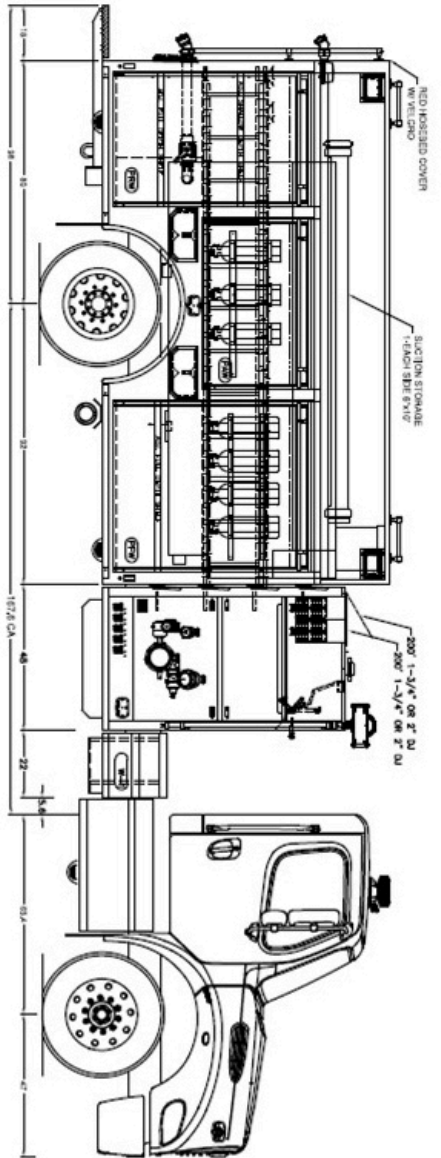
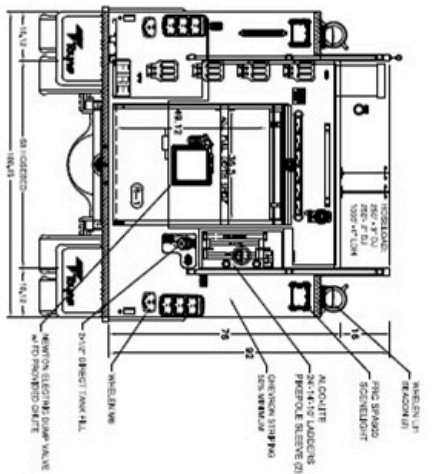
- 1500 Gallon UPF Tank
- ICI SL Plus Tank Gauge
- Rear Electric Dump Chute
- Rear 2.5" Direct Tank Fill

PUMP

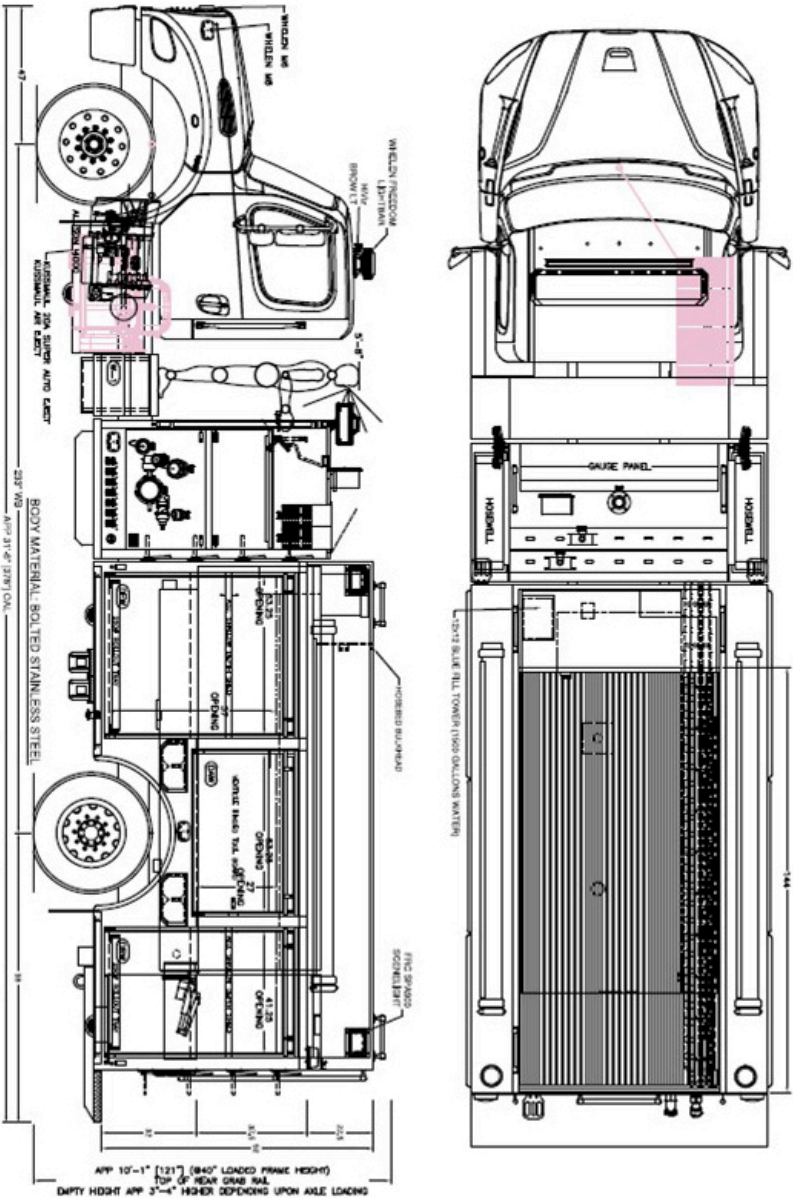
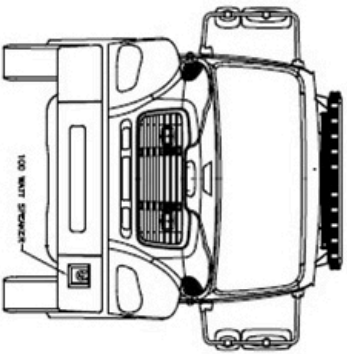
- Hale Qmax 1500 GPM Pump
- Fire Research Pump Boss Pressure Governor
- (2) 1.75" Crosslays
- Left side: 2.5" Discharge
3" Discharge
2.5" Intake
Master Intake
- Right side: 2.5" Discharge
4" Discharge
Master Intake
- Rear 2.5" Discharge
- Hosebed 2.5" Discharge
- Piped for Monitor

ELECTRICAL

- FRC LED 900-Q65 Scene Lights
- Whelen Warning Lighting
- Fire Research SPA540-Q15 Telescoping Lights
- Whelen LED Arrowstick
- Fire Tech HiViz 36" Brow Light
- ILI LED Strip Compartment Lighting



COMP.	HOURS	MIN	UNLTD MONTH	SPARE	SPARE
LABOR	37.75	03.25	1.4	4.0	4.0
MAN	37.75	03.25	1.4	4.0	4.0
MATERIAL	37.75	03.25	1.4	4.0	4.0
POWER	37.75	03.25	1.4	4.0	4.0
PAINT	37.75	03.25	1.4	4.0	4.0
TESTING	37.75	03.25	1.4	4.0	4.0
TRAINING	37.75	03.25	1.4	4.0	4.0
DISPATCH	37.75	03.25	1.4	4.0	4.0
HOISTING	37.75	03.25	1.4	4.0	4.0
TOTAL	37.75	03.25	1.4	4.0	4.0
HOISTING	37.75	03.25	1.4	4.0	4.0
MAN	37.75	03.25	1.4	4.0	4.0
MATERIAL	37.75	03.25	1.4	4.0	4.0
POWER	37.75	03.25	1.4	4.0	4.0
PAINT	37.75	03.25	1.4	4.0	4.0
TESTING	37.75	03.25	1.4	4.0	4.0
TRAINING	37.75	03.25	1.4	4.0	4.0
DISPATCH	37.75	03.25	1.4	4.0	4.0
HOISTING	37.75	03.25	1.4	4.0	4.0
TOTAL	37.75	03.25	1.4	4.0	4.0



APP 10'-1" (121" (84" LOADED FRAME HEIGHT)
 7'-6" OF MAX GROUND CLEARANCE
 DEPT HDHT APP 3'-4" HIGHER DEPENDING UPON AXLE LOADING

NOTE:
 DIMENSIONS SHOWN ARE APPROXIMATE AND ARE SUBJECT TO MINOR CHANGE AS MAY BE FOUND NECESSARY DURING CONSTRUCTION. MINOR DETAILS MAY NOT BE SHOWN. IF DISCREPANCIES EXIST BETWEEN THIS DRAWING AND THE WRITTEN SPECIFICATIONS PROVIDED BY TOWNE, THE WRITTEN SPECIFICATIONS SHALL PREVAIL.

ORIGINAL DRAWING	23MAR23	CHASSIS:	FREIGHTLINER M2 112 2 DOOR 4x2	SCALE:	1/66	SHEET:	A
BR	12APR23	WB-CAN-F	233-167.6'-4" D17	CITY:	-	STATE:	-
C/O 1	08DEC23	BODY MATL:	BOLTED STAINLESS STEEL	DUR:	VRS	DATE:	23 MARCH 2023
AS BUILT: EM	13JUN24	PUMP:	HALE OMAX 1500	CAD:	GROSSMAN	FILE:	POWMA23
		TANK:	1500 UFF POLY-TANK III				
		FOAM SYSTEM:	N/A				
		GENERATOR:	N/A				

Towne
 Breda, IA 51436
 800-648-3358
 WWW.TOWNE.COM
 Start to finish the job.

POWERNAL
 CUSTOM PUMPER