

Quotation

Description

VEHICLE

0100-020	MODEL	FC-94
8012-019	CUSTOMERS / OEMS	Toyne (TOY1000)[1002914]
8011-022	MODEL YEAR	Model Year - 2022
8001-001	COUNTRY OF SERVICE	Country of Service United States Of America
8017-001	CAB AND CHASSIS LABELING LANGUAGE	Cab and Chassis Labeling Language English
8006-009	APPARATUS TYPE	Apparatus Type Pumper
8008-001	VEHICLE TYPE	Vehicle Type Straight Truck
8008A-000	VEHICLE ANGLE OF APPROACH PACKAGE	Vehicle Angle of Approach NFPA Minimum 8.00 Degrees
0104-001	AXLE CONFIGURATION	Axle Configuration 4x2 (Rear Axle Drive Only)
0101-003	GROSS AXLE WEIGHT RATINGS FRONT	GAWR Front 20000#
0102-004	GROSS AXLE WEIGHT RATINGS REAR	GAWR Rear 27000#
8010-201	PUMP PROVISION	Pump Provision Driveline Midship, Pump Mode Prog w/Auto Park Brake "N"
8009-013	WATER & FOAM TANK CAPACITY	Water & Foam Tank Capacity 750 to 1250 Gallons

CAB

1000-004	CAB STYLE	Cab Style MFD 10" Raised Roof
1501-018	CAB FRONT FASCIA	Cab Frt Fascia Classic w/Quad Headlight Bezels
1518-060	FRONT GRILLE	Cab Frt Grille FC-94
1551-002	CAB UNDERCOAT	Cab Undercoat
1552-002	CAB SIDE DRIP RAIL	Cab Side Drip Rail
1521-001	CAB PAINT EXTERIOR	Cab Paint Exterior Single Color
1533-001	CAB PAINT MANUFACTURER	Cab Paint Manufacturer PPG
1522-086	CAB PAINT PRIMARY/LOWER COLOR	Cab Paint Primary/Lower Color PPG Red FBCH 71663
8013-052	CAB PAINT WARRANTY	Cab Paint Warranty (1) Year/100,000 Miles
1334-044	CAB PAINT INTERIOR	Cab Paint Int Easy-to-Clean Gray
1005-001	CAB ENTRY DOORS	Cab Entry Doors (4)
1101-102	CAB ENTRY DOOR TYPE	Cab Entry Door Type Barrier Free w/Pollak Switches
1322-002	CAB INSULATION	Cab Insulation
8004-031	CAB STRUCTURAL WARRANTY	Cab Structural Warranty (5) Year/Unlimited Miles
9001-006	CAB TEST INFORMATION	Cab Test Information Crash Test ECE-R29/SAE J2420/SAE J2422

ELECTRICAL POWER DISTRIBUTION

5000-018	ELECTRICAL SYSTEM	Elec System 12V DC Multiplex
5004-002	LOAD MANAGEMENT SYSTEM	Load Management System Multiplex
5622-003	DATA RECORDING SYSTEM	Data Recording Sys Vehicle Data Weldon MUX
5031-005	ACCESSORY POWER	Accessory Pwr & Gnd Stud 40A Batt Dir & 225A Batt Dir OEM Conn

5011-001	EXTERIOR ELECTRICAL TERMINAL COATING	Exterior Electrical Terminal Coating Spray On Plasti Dip
----------	---	--

ENGINE

1701-166	ENGINE	Engine Diesel 380HP Cummins L9 - EPA 2021
1329-001	CAB ENGINE TUNNEL	Cab Engine Tunnel Small/Medium
1731-002	DIESEL PARTICULATE FILTER CONTROLS	DPF Ctrl Regeneration Sw & Inhibit Sw
1718-002	ENGINE PROGRAMMING HIGH IDLE SPEED	Engine Programming High Idle Speed 1250 RPM
1719-004	ENGINE HIGH IDLE CONTROL	Engine High Idle Ctrl Manual and Automatic
1710-001	ENGINE PROGRAMMING ROAD SPEED GOVERNOR	Engine Programming Road Speed Governor Enabled
1713-005	AUXILIARY ENGINE BRAKE	Aux Engine Brake VG Turbo
1708-002	AUXILIARY ENGINE BRAKE CONTROL	Aux Engine Brake Ctrl On/Off Sw Pnl
1720-003	ELECTRONIC ENGINE OIL LEVEL INDICATOR	Elec Engine Oil Level Indicator
1715-008	FLUID FILLS	Fluid Fills Under Cab
1735-001	ENGINE DRAIN PLUG	Engine Drain Plug
8002-001	ENGINE WARRANTY	Engine Warranty Cummins (5) Year/100,000 Miles
1707-116	REMOTE THROTTLE HARNESS	Rmt Throttle Harness Cab Harness Only Shift Interlock
1721-001	ENGINE PROGRAMMING REMOTE THROTTLE	Engine Program Rmt Throttle Off
1727-001	ENGINE PROGRAMMING IDLE SPEED	Engine Programming Idle Speed 700 RPM

AIR INTAKE

2801-010	ENGINE AIR INTAKE	Engine Air Intake Filtration and Restriction w/Replaceable Element Abv Radiator
----------	--------------------------	---

COOLING

2704-019	ENGINE FAN DRIVE	Engine Fan Drive Variable Speed w/Actv Sw on Dash
2701-021	ENGINE COOLING SYSTEM	Engine Cooling System Serial Flow w/Package Drop-Out Prov
2711-002	ENGINE COOLING SYSTEM PROTECTION	Engine Cooling System Protection Light Duty Skid Plate
2708-001	ENGINE COOLANT	Engine Coolant Extended Life
2706-003	ELECTRONIC COOLANT LEVEL INDICATOR	Elec Low Coolant Level Indicator
2705-002	ENGINE PUMP HEAT EXCHANGER	Engine Pump Heat Exchanger
2709-001	COOLANT HOSES	Coolant Hoses Silicone
2710-005	ENGINE COOLANT OVERFLOW BOTTLE	Engine Coolant Overflow Expansion Bottle

EXHAUST

2901-068	ENGINE EXHAUST SYSTEM	Eng Exhaust Sys Under Frm RH Single Module Aftertreatment Inboard
2907-012	DIESEL EXHAUST FLUID TANK	Diesel Exhaust Fluid Tank LH 6 Gal Undercab Fill
2902-010	ENGINE EXHAUST ACCESSORIES	Engine Exhaust Acc Temp Mitigation
2906-002	ENGINE EXHAUST WRAP	Engine Exhaust Wrap

TRANSMISSION

1801-015	TRANSMISSION	Transmission Allison 3000 EVS
1806-001	TRANSMISSION MODE PROGRAMMING	Transmission Mode Programming 4th Startup/5th Mode
1811-004	TRANSMISSION FEATURE PROGRAMMING	Transmission Feature Programming Allison Gen V-E I/O Package 198/Pumper
1815-002	ELECTRONIC TRANSMISSION OIL LEVEL INDICATOR	Elec Transmission Oil Level Indicator
1807-005	TRANSMISSION SHIFT SELECTOR	Transmission GEN V-E Shift Sel Key Pad/Push Button
1814-002	TRANSMISSION PRE-SELECT WITH AUXILIARY BRAKE	2nd Gear Pre-Select
1808-007	TRANSMISSION COOLING SYSTEM	Transmission Cooling System
1817-001	TRANSMISSION DRAIN PLUG	Transmission Drain Plug
8005-001	TRANSMISSION WARRANTY	Transmission Warranty Allison (5) Year

POWER TAKE OFF

2005-009	PTO LOCATION	PTO Location 8:00/4:00
----------	---------------------	------------------------

DRIVELINE

3001-014	DRIVELINE	Driveline MSI 1710 w/Meritor U-Joints w/Thrust Washers
3005-002	MIDSHIP PUMP / GEARBOX	Midship Pump Jackshaft Only
3008-054	MIDSHIP PUMP / GEARBOX MODEL	Midship Pump/Gearbox Model Hale QMAX Fwd
3048-004	MIDSHIP PUMP GEARBOX DROP	Midship Driveline Pump Gearbox Drop Hale "L"
3009-020	MIDSHIP PUMP RATIO	Midship Pump Ratio 2.28:1 (23)
3010-1040	MIDSHIP PUMP LOCATION C/L SUCTION TO C/L REAR AXLE	Midship Pump Location C/L Suction to C/L Rear Axle 104.0"

FUEL SYSTEMS

3109-067	FUEL FILTER/WATER SEPARATOR	Fuel Filter/Wtr Separator Fleetguard FS20121 w/Lt & Alarm
3111-001	FUEL LINES	Fuel Lines Nylon
3103-008	ELECTRIC FUEL PRIMER	Electric Fuel Primer Engine Sply Electric Lift Pump
3101-101	FUEL TANK	Fuel Tank 50 Gallon
3130-001	FUEL TANK MATERIAL AND FINISH	Fuel Tank Material Steel & Finish Painted Frame Components Color
3131-001	FUEL TANK STRAP MATERIAL AND FINISH	Fuel Tank Strap Material Steel & Finish Painted Frame Components Color
3102-007	FUEL TANK FILL PORT	Fuel Tank Fill Port LH Rwd/RH Mid
3115-002	FUEL TANK DRAIN PLUG	Fuel Tank Drain Plug Magnetic

FRONT AXLE

2401-003	FRONT AXLE	Frt Axle Meritor MFS 20000# Beam
8059-020	FRONT AXLE WARRANTY	Front Axle Warranty Meritor 2022
2405-001	FRONT WHEEL BEARING LUBRICATION	Frt Wheel Bearing Lube Oil

FRONT SUSPENSION

2502-002	FRONT SHOCK ABSORBERS	Frt Shock Absorbers Bilstein
----------	------------------------------	------------------------------

2501-016 **FRONT SUSPENSION** Frt Suspension 10 Leaf 20000-21500#

STEERING

2601-005 **STEERING COLUMN/WHEEL** Steering Column/Wheel Tilt/Telescopic 18" 2 Spoke
2609-002 **ELECTRONIC POWER STEERING FLUID LEVEL INDICATOR** Elec Power Steering Fluid Level Indicator
2603-011 **POWER STEERING PUMP** Power Steering Pump TRW w/Passive Cooler
2606-009 **FRONT AXLE CRAMP ANGLE** Front Axle Cramp Angle 48L/44R Degrees
2610-003 **POWER STEERING GEAR** Power Steering Gear TRW TAS 65 w/Assist
2608-001 **CHASSIS ALIGNMENT** Chassis Alignment

REAR AXLE

3401-003 **REAR AXLE** Rear Axle 27000# Meritor RS-25-160
3403-001 **REAR AXLE DIFFERENTIAL LUBRICATION** Rear Axle Differential Lubrication Oil
8061-017 **REAR AXLE WARRANTY** Rear Axle Warranty Meritor 2022
3411-001 **REAR WHEEL BEARING LUBRICATION** Rear Wheel Bearing Lubrication Oil
3408-008 **VEHICLE TOP SPEED** Vehicle Top Speed 68 MPH

REAR SUSPENSION

3501-032 **REAR SUSPENSION** Rear Susp Reyco 79KB Spring 21000-31500# Conventional

TIRES

3625-002 **TIRE INTERMITTENT SERVICE RATING** Tire Intermittent Service Ratings Acceptable
3601-038 **FRONT TIRE** Frt Tire 315/80R 22.5 Goodyear G289 WHA
3602-043 **REAR TIRE** Rear Tire 12R 22.5 Goodyear G622 RSD
3413-513 **REAR AXLE RATIO** Rear Axle Ratio 5.13
3614-030 **TIRE PRESSURE INDICATOR** Tire Pressure Ind Frt & Rr LED

WHEELS

3701-036 **FRONT WHEEL** Frt Wheel Alcoa LvL One 22.5 x 9.00 Alum
3703-027 **REAR WHEEL** Rr Whl Alcoa LvL One 22.5 x 8.25 Alum

BRAKES

3205-012 **BRAKE SYSTEM** Brake System ABS/ATC/ESC Sgl Axle
3206-001 **FRONT BRAKES** Frt Brakes S-Cam Drum 16.5" x 6"
3207-009 **REAR BRAKES** Rr Brakes S-Cam Drum 16.5" x 8.6" Cast Iron Shoe
3208-001 **PARK BRAKE** Prk Brake Rr Wheels Only
3204-029 **PARK BRAKE CONTROL** Prk Brake Ctrl LH Tunnel Mnt, Integrated w/Shift Pod Console
3213-001 **FRONT BRAKE SLACK ADJUSTERS** Frt Brake Slack Adjusters Meritor
3214-001 **REAR BRAKE SLACK ADJUSTERS** Rr Brake Slack Adjusters Meritor
3202-001 **AIR DRYER** Air Dryer Wabco System Saver 1200 Bhd RH Step
3215-001 **FRONT BRAKE CHAMBERS** Frt Brake Chambers MGM Type 30
3210-015 **REAR BRAKE CHAMBERS** Rr Brake Chambers TSE 30/36 Long Stroke

AIR SUPPLY SYSTEMS

3320-001	AIR COMPRESSOR	Air Compressor Wabco SS318 18.7 CFM
3339-004	AIR GOVERNOR	Air Governor Mnt on Air Dryer Bracket
3303-001	MOISTURE EJECTORS	Moisture Ejectors Manual
3307-001	AIR SUPPLY LINES	Air Sply Lines Nylon
3309-033	AIR INLET CONNECTION	Air Inlet Connection
3349-002	AIR INLET LOCATION	Air Inlet Location LH Lwr Frt Step Fwd
3326-002	AIR INLET/OUTLET FITTING TYPE	Air Inlet/Outlet Manual Conn Tru-Flate Interchange 1/4"

FRAME

2103-2100	WHEELBASE	Wheelbase 210.0"
2106-0470	REAR OVERHANG	Rear Overhang 47.0"
2101-002	FRAME	Frame Double Channel 35.00" Width
8007-032	FRAME WARRANTY	Frame Warranty 5 Years/Unlimited Mileage
2110-101	FRAME PAINT	Frame Paint Powder Coat Black

BUMPER

2201-001	FRONT BUMPER	Frt Bumper Stainless Steel Flat
2202-001	FRONT BUMPER EXTENSION LENGTH	Frt Bumper Extension Length 6"
2208-002	FRONT BUMPER APRON	Frt Bumper Apron For 6" Extension
5501-020	AIR HORN	Air Horn (2) 21" Round Hadley E-Tone
2216-010	AIR HORN LOCATION	Air Horn Location (2) Frt Bmpr Face R/L IB
2232-002	AIR HORN RESERVOIR	Air Horn Reservoir (1) 1200 Cu In
5504-060	ELECTRONIC SIREN SPEAKER	Elect Siren Speaker 100W Federal Signal Dynamax w/EF Grille
2217-005	ELECTRONIC SIREN SPEAKER LOCATION	Elec Siren Speaker Location Frt Bmpr Face RH OB
2203-017	FRONT BUMPER TOW HOOKS	Frt Bumper Tow Hooks Painted Side Fwd

CAB TILT

2301-001	CAB TILT SYSTEM	Cab Tilt System
2305-001	CAB TILT CONTROL RECEPTACLE	Cab Tilt Ctrl Receptacle Temp
2306-002	CAB TILT LOCK DOWN INDICATOR	Cab Tilt Lock Down Indicator

CAB GLASS

1401-009	CAB WINDSHIELD	Cab Windshield
1402-005	GLASS FRONT DOOR	Glass Frt Dr Roll Down/XDuty Regulator
1407-001	GLASS TINT FRONT DOOR	Glass Tint Frt Dr Automotive Green
1419-012	GLASS REAR DOOR RIGHT HAND	Glass Rr Dr RH Roll Down/XDuty Regulator
1430-001	GLASS TINT REAR DOOR RIGHT HAND	Glass Tint Rr Door RH Automotive Green
1412-013	GLASS REAR DOOR LEFT HAND	Glass Rr Dr LH Roll Down/XDuty Regulator
1431-001	GLASS TINT REAR DOOR LEFT HAND	Glass Tint Rr Door LH Automotive Green
1410-003	GLASS SIDE MID RIGHT HAND	Glass Side Mid RH Fxd 16"W x 26"H
1432-001	GLASS TINT SIDE MID RIGHT HAND	Glass Tint Side Mid RH Automotive Green

1409-003	GLASS SIDE MID LEFT HAND	Glass Side Mid LH Fxd 16"W x 26"H
1433-001	GLASS TINT SIDE MID LEFT HAND	Glass Tint Side Mid LH Automotive Green

CLIMATE CONTROL

1614-101	CLIMATE CONTROL	Climate Ctrl Htr Defroster Frt Ovrhd/Htr A/C Tunnel Mnt
1632-002	CLIMATE CONTROL DRAIN	Climate Control Drain Gravity
1617-101	CLIMATE CONTROL ACTIVATION	Climate Ctrl Actv Device Mnt Ovrhd/Device Mnt Tunnel
1603-003	A/C CONDENSER LOCATION	A/C Condenser Location Roof Mnt Fwd Ctr
1601-001	A/C COMPRESSOR	A/C Compressor Large Capacity
1530-100	UNDER CAB INSULATION	Under Cab Insulation Engine Tunnel

CAB INTERIOR

1327-001	INTERIOR TRIM FLOOR	Interior Trim Floor
1302-001	INTERIOR TRIM	Interior Trim Vinyl
1368-002	REAR WALL INTERIOR TRIM	Rear Wall Interior Trim Vinyl
1306-006	HEADER TRIM	Header Trim XDuty
1305-014	TRIM CENTER DASH	Trim Center Dash XDuty
1339-102	TRIM LEFT HAND DASH	Trim LH Dash XDuty
1321-004	TRIM RIGHT HAND DASH	Trim RH Dash XDuty Glove Cmpt/MDT Prov
1307-002	ENGINE TUNNEL TRIM	Eng Tnl Trim Flr Mat
5040-086	POWER POINT DASH MOUNT	Pwr Pnt Dash Mnt Batt Dir (1) Sw Pnl/(1) Dual USB 2.1A Batt Dir Sw Pnl
1303-017	STEP TRIM	Step Trim Grip Strut Lwr Flex-Tred Mid
1102-013	INTERIOR DOOR TRIM	Interior Door Trim Painted
1105-001	CAB DOOR TRIM REFLECTIVE	Cab Dr Trim Reflective Vert Stripe/6" Chevron w/Logo
1308-001	INTERIOR GRAB HANDLE "A" PILLAR	Interior Grab Handle 'A' Pillar 11" Molded
1332-008	INTERIOR GRAB HANDLE FRONT DOOR	Interior Grab Handle Frt Door Horiz 9"
1301-003	INTERIOR SOFT TRIM COLOR	Interior Soft Trim Color Gray
1337-001	INTERIOR TRIM SUNVISOR	Interior Trim Sunvisor Vinyl
1304-001	INTERIOR FLOOR MAT COLOR	Interior Floor Mat Color Gray
1335-023	CAB PAINT INTERIOR DOOR TRIM	Cab Paint Int Dr Trim Easy-to-Clean Gray
1371-024	HEADER TRIM INTERIOR PAINT	Header Trim Interior Paint Easy-to-Clean Gray
1370-027	TRIM CENTER DASH INTERIOR PAINT	Trim Center Dash Interior Paint Easy-to-Clean Matte Gray
1378-026	TRIM LEFT HAND DASH INTERIOR PAINT	Trim LH Dash Interior Paint Easy-to-Clean Matte Gray
1373-026	TRIM RIGHT HAND DASH INTERIOR PAINT	Trim RH Dash Interior Paint Easy-to-Clean Matte Gray
1344-002	DASH PANEL GROUP	Dash Pnl Group 3-Pnl
1312-005	SWITCHES CENTER PANEL	Switches Ctr Pnl 12 Up
1313-004	SWITCHES LEFT PANEL	Switches Left Pnl 8 (6+2) w/Headlight/Dimmer/Wiper
1314-001	SWITCHES RIGHT PANEL	Switches Right Pnl 0

CAB SEATS

1225-018	SEAT BELT WARNING	Seat Belt Warn Indv Seat Loc & LED Display w/VDR Weldon
1237-005	SEAT MATERIAL	Seat Material Durawear Plus

1243-001	SEAT COLOR	Seat Color Gray/Red Seat Belts
1249-001	SEAT BACK LOGO	Seat Back Logo Spartan
1201-022	SEAT DRIVER	Seat Driver Bostrom Firefighter 4-Way Air ABTS
1213-025	SEAT BACK DRIVER	Seat Back Driver Non-SCBA ABTS
1219-001	SEAT MOUNTING DRIVER	Seat Mounting Driver
1202-047	SEAT OFFICER	Seat Officer Bostrom Firefighter Fixed 300 Series ABTS
1214-030	SEAT BACK OFFICER	Seat Back Officer SCBA Bostrom SecureAll w/Quick-Adjust
1220-002	SEAT MOUNTING OFFICER	Seat Mounting Officer
1273-001	SEAT BELT ORIENTATION CREW	Seat Belt Orientation Crew Outboard Shoulder To Inboard Hip
1263-001	SEAT REAR FACING OUTER LOCATION	Seat RFO Location (2) R/L
1203-026	SEAT CREW REAR FACING OUTER	Seat Crew RFO Bostrom Firefighter Fixed 300 Series
1215-027	SEAT BACK REAR FACING OUTER	Seat Back RFO SCBA Bostrom SecureAll w/Quick-Adjust
1221-009	SEAT MOUNTING REAR FACING OUTER	Seat Mounting RFO Rwd 2"
1266-001	SEAT FORWARD FACING CENTER LOCATION	Seat FFC Location (2) Ctr
1206-041	SEAT CREW FORWARD FACING CENTER	Seat Crew FFC Bostrom Firefighter Flip-Up 300 Series
1218-031	SEAT BACK FORWARD FACING CENTER	Seat Back FFC SCBA Bostrom SecureAll w/Quick-Adjust
1269-112	SEAT FRAME FORWARD FACING	Seat Frm Fwd Fcg Risers
1224-002	SEAT MOUNTING FORWARD FACING CENTER	Seat Mounting Forward Facing Center

CAB EXTERIOR

1511-200	WINDSHIELD WIPER SYSTEM	Windshield Wiper System
1534-002	ELECTRONIC WINDSHIELD FLUID LEVEL INDICATOR	Electronic Windshield Fluid Level Indicator
1103-002	CAB DOOR HARDWARE	Cab Door Hardware Black Composite
1111-001	DOOR LOCKS	Door Locks Manual
1503-002	GRAB HANDLES	Grab Handles SS 18"
1504-078	REARVIEW MIRRORS	Mirror West Coast Retractable 1171-980-4 Rmt
1513-003	CAB FENDER	Cab Fender Rubber
1526-005	CAB EXTERIOR FRONT & SIDE EMBLEMS	Cab Ext Frt & Side Emblems Spartan Frt Only

START / CHARGING SYSTEMS

5109-001	IGNITION	Ign Mstr Sw w/Keyless Start
5101-020	BATTERY	Batt (3) Group 31 Harris
5106-001	BATTERY TRAY	Batt Tray LH Steel
5107-002	BATTERY BOX COVER	Batt Box Cover LH Steel w/Black Handle
5102-001	BATTERY CABLE	Batt Cables
5108-011	BATTERY JUMPER STUD	Batt Jumper Stud Rear LH Batt Box
5104-001	ALTERNATOR	Alternator Leece-Neville 270A
5105-001	STARTER MOTOR	Starter Motor Delco

LINE VOLTAGE ELECTRICAL POWER DISTRIBUTION

5202-075	BATTERY CONDITIONER	Batt Cond Kussmaul Auto Charge 40 LPC LH RFO Seat Position
----------	----------------------------	--

5203-002	BATTERY CONDITIONER DISPLAY	Batt Cond Display LH Mid Glass
3314-076	AUXILIARY AIR COMPRESSOR	Aux Air Cmp Kussmaul 12V RH Under Dash w/Autodrain
5209-002	ELECTRICAL INLET LOCATION	Elec Inlet Location LH Cab Side Mid
5204-055	ELECTRICAL INLET	Elec Inlet 120V 20A Auto Eject
5210-004	ELECTRICAL INLET CONNECTION	Elec Inlet Conn to Batt Conditioner
5206-002	ELECTRICAL INLET COLOR	Elec Inlet Color Yellow

LIGHTING

5301-102	HEADLIGHTS	Headlights 4 Headlamps LED
5303-037	FRONT TURN SIGNALS	Frt Turn Signals Techniq K60 LED Arrow
5337-001	HEADLIGHT LOCATION	Headlights Below Frt Warn Lts
5336-015	SIDE TURN/MARKER LIGHTS	Side Turn/Marker Lts LED Tecniq S170
5302-022	MARKER & ICC LIGHTS	Marker & ICC Lts Face Mnt LED Tecniq S170
5350-092	HEADLIGHT AND MARKER LIGHT ACTIVATION	Hdlt & Mrkr Lt Actv Rkr Sw/DRL Ign Sw
5308-300	GROUND LIGHTS	Ground Lts Tecniq T44 LED
5386-002	GROUND LIGHTING ACTIVATION	Ground Lt Actv Prk Brk
5309-003	LOWER CAB STEP LIGHTS	Lwr Cab Step Lts Tecniq T44 LED
5382-007	INTERMEDIATE STEP LIGHTS	Intermediate Step Lts Tecniq D06 LED
5403-062	LIGHTBAR PROVISION	Lightbar Prov Wire & Lwr Mnt Spartan Supply
5450-232	CAB FRONT LIGHTBAR	Cab Frt Ltbar Whelen Freedom F4N72QLED 6R2C Layout 1
5426-002	LIGHTBAR SWITCH	Lightbar Sw Pnl
5306-065	SIDE SCENE LIGHTS	Side Scene Lts Whelen 900 12V Super 24 LED Clear Gradient
5318-004	SIDE SCENE LIGHT LOCATION	Side Scene Lt Loc Upper Mid Rwd 10" Roof Position
5316-004	SIDE SCENE ACTIVATION	Side Scene Actv Indv Sw & Resp Side Doors
5305-300	INTERIOR OVERHEAD LIGHTS	Interior Overhead Lts LED
5312-003	ENGINE COMPARTMENT LIGHT	Engine Cmpt Work Lt LED (1)

OPTICAL WARNING DEVICES

5406-119	DO NOT MOVE APPARATUS LIGHT	Do Not Move App Lt Flashing Red Tecniq K50 LED w/Alarm
5422-001	MASTER WARNING SWITCH	Mstr Warn Sw Pnl
5401-082	INBOARD FRONT WARNING LIGHTS	Inboard Frt Warn Lts Whelen C6 LED Chrm Bezel
5413-002	INBOARD FRONT WARNING LIGHTS COLOR	Inboard Frt Warn Lts Color Red
5423-007	FRONT WARNING SWITCH	Frt Warn Sw Pnl
5404-114	INTERSECTION WARNING LIGHTS	Intersection Warn Lts Whelen C6 LED
5419-002	INTERSECTION WARNING LIGHTS COLOR	Int Warn Lts Color Red
5420-002	INTERSECTION WARNING LIGHTS LOCATION	Intersection Warn Lts Location Bumper Tail Rwd
5424-008	SIDE AND INTERSECTION WARNING SWITCH	Side & Intersection Warn Sw Pnl

AUDIBLE WARNING DEVICES

5510-004	SIREN CONTROL HEAD	Siren Ctrl Head Whelen 295HFS2
5514-002	STEERING WHEEL HORN BUTTON	Horn Btn Sel Sw Elec Horn/Air Horn

SELECTOR SWITCH

5527-002	AUDIBLE WARNING RH FOOT SWITCH	Audible Warning RH Foot Switch Air Horn
5527A-001	AIR HORN FOOT SWITCH RH	Air Horn Foot Switch RH Linemaster 491-S
5527B-002	AIR HORN FOOT SWITCH RH LOCATION	Air Horn Foot Switch RH Location Temporary Firewall Inboard Coiled
5530-002	AUDIBLE WARNING RH FOOT SWITCH BRACKET	Audible Warn RH Ft Sw Indv Brkt 30Deg TPlate Shiploose
5531-002	AIR HORN CIRCUIT INTERLOCK	Air Horn Circuit Interlock Master Warn
5505-002	BACK-UP ALARM	Back-Up Alarm Ecco 575

INSTRUMENTATION

5601-041	INSTRUMENTATION	Instrumentation Standard
5624-001	BACKLIGHTING COLOR	Backlighting Color Red

COMMUNICATIONS SYSTEMS

5701-043	RADIO	Radio Jensen WB/AM/FM/CD/iPod/Sat Lower RH Ctr Pnl
5707-002	AM/FM ANTENNA	AM/FM Antenna LH Fwd Cab Roof
5728-009	CAMERA REAR	Camera HD Rear Box
5731-012	CAMERA DISPLAY	Camera Display LH HD Monitor
5703-010	COMMUNICATION ANTENNA	Comm Ant Base RH Fwd Cab Rf Spartan Sply
5708-003	COMMUNICATION ANTENNA CABLE ROUTING	Comm Ant Cable Routing Under Rkr Sw Pnl
5020-001	PANEL LAYOUT	Panel Layout

ADDITIONAL EQUIPMENT

8814-002	CAB EXTERIOR PROTECTION	Cab Exterior Protection Front
8806-001	FIRE EXTINGUISHER	Fire Extinguisher Shiploose
8810-001	DOOR KEYS	Door Keys for Manual Locks (4)

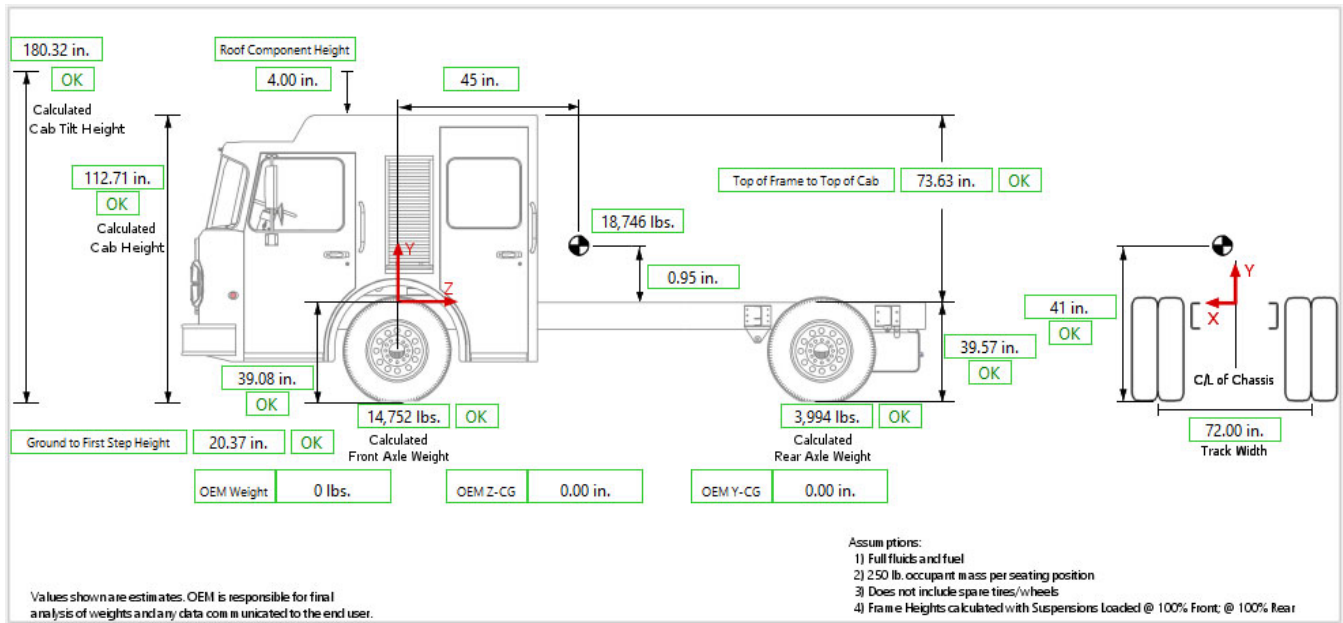
SALES ADMIN

8003-195	WARRANTY	Warranty Cab and Chassis 2022 (1) Year
8030-006	CHASSIS OPERATION MANUAL	Chassis Operation Manual Digital Copy (2)
8031-034	ENGINE & TRANSMISSION OPERATION MANUAL	Eng & Trans Op Man Eng Hard Copy/Trans Digital/Eng Owner Digital USB Flash Drive
8805-007	CAB/CHASSIS AS BUILT WIRING DIAGRAMS	Cab/Chassis As Built Wiring Diagrams Digital Copy (2)
8039-001	SALES TERMS	Sales Terms

ENGINEERING

9005-002	DRIVELINE LAYOUT CONFIRMATION	Driveline Layout Confirmation Required
2124-009	EFCM/REAR CROSSMEMBERS	End of Frame Cross Member 2.25" From EOF

Weight Distribution

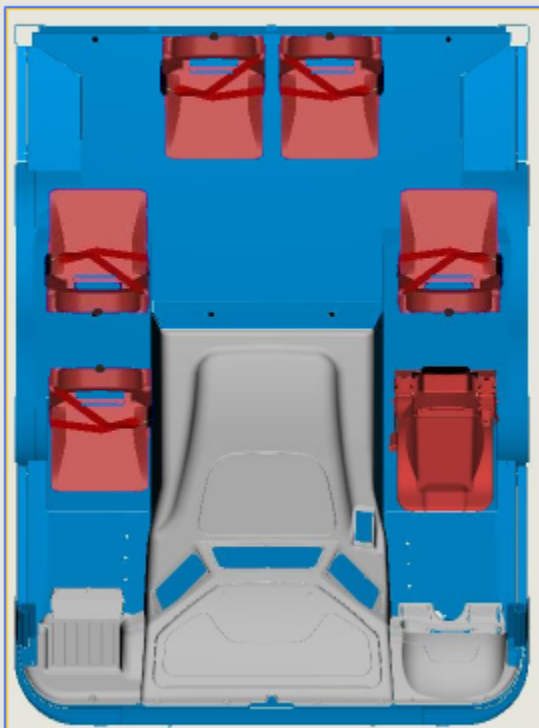


Calculated Apparatus Weight 18,746 lbs.
 Calculated Apparatus Z-CG 45 in.
 Calculated Apparatus Y-CG 0.95 in.

Note:

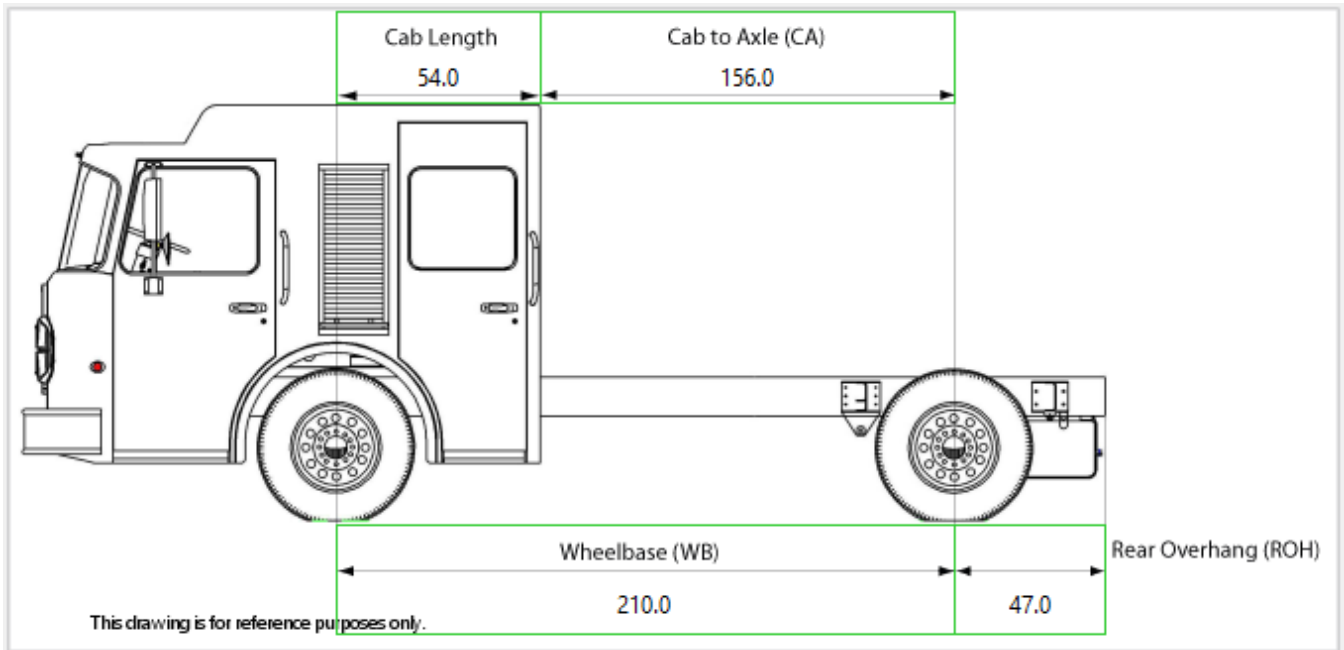
The Y-CG value above is calculated from the top of the frame.
 Apparatus refers to total combined value for cab and chassis and OEM inputs.

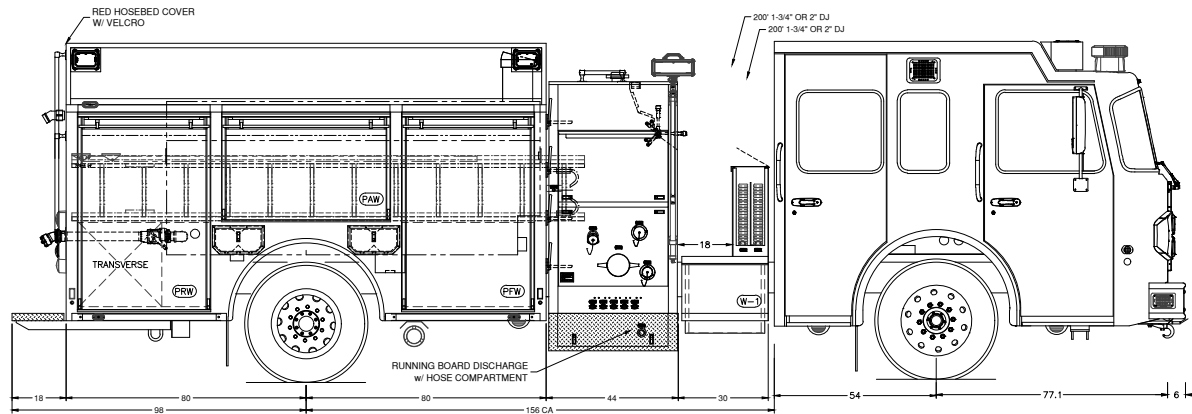
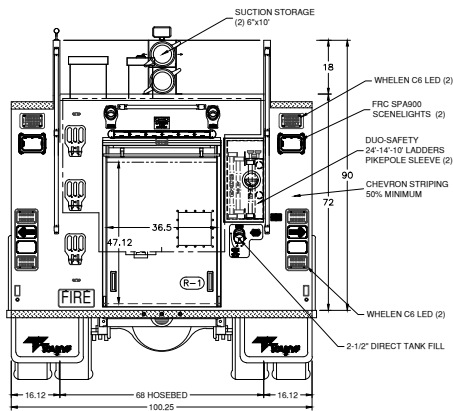
Seat Locations



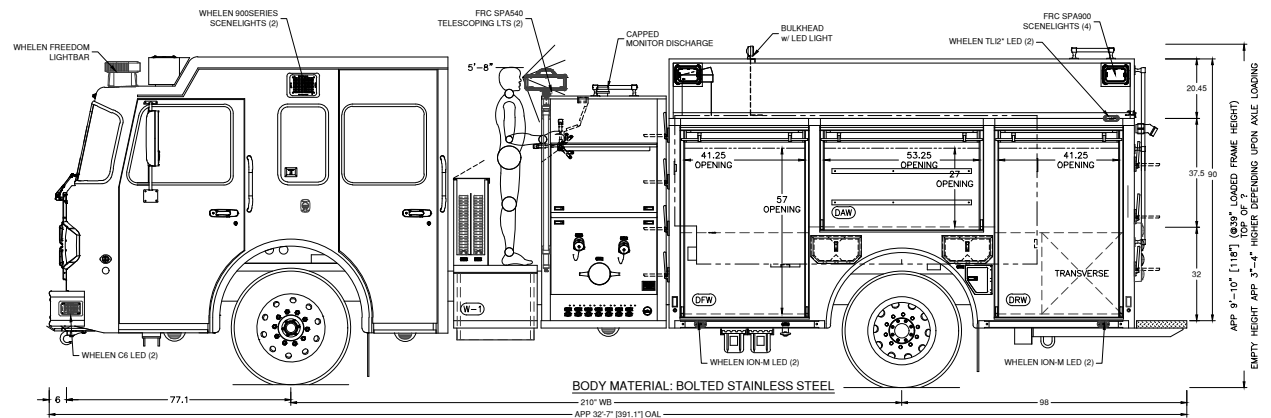
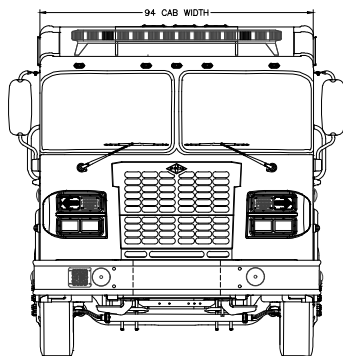
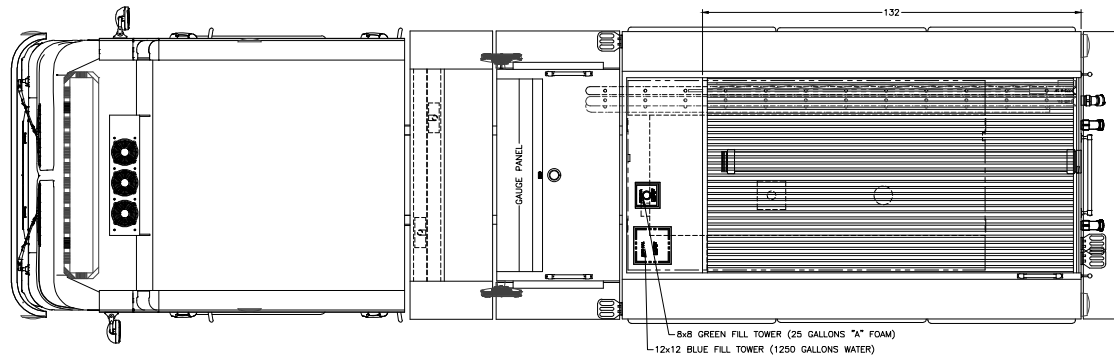
This drawing is for reference purposes only.

Frame Dimensions





COMP.	HEIGHT	WIDTH	USABLE DEPTH		DIVIDE HEIGHT	FT ³
			UPPER	LOWER		
DFW	67.12	47.88	14	26	26	35.35
DAW	37.12	63.75	14	--	--	19.18
DRW	67.12	44.00	14	26	26	32.49
PFW	67.12	47.88	14	26	26	35.35
PAW	37.12	63.75	14	--	--	19.18
PRW	67.12	44.00	14	26	26	32.49
R-1	44.00	44.00	--	30	--	33.62
HOSEBED	18	58	--	160	--	96.67
FRONT X-LAY	25.75	4.62	--	73.75	--	5.08
REAR X-LAY	25.75	4.62	--	73.75	--	5.08



NOTE:
DIMENSIONS SHOWN ARE APPROXIMATE AND ARE SUBJECT TO MINOR CHANGE AS MAY BE FOUND NECESSARY DURING CONSTRUCTION. MINOR DETAILS MAY NOT BE SHOWN. IF DISCREPANCIES EXIST BETWEEN THIS DRAWING AND THE WRITTEN SPECIFICATIONS PROVIDED BY TOYNE, THE WRITTEN SPECIFICATIONS SHALL PREVAIL.

ORIGINAL DRAWING	29DEC20	CHASSIS:	SPARTAN FC-94 MFD 10" RR	SCALE:	1/66	SHEET:	A
		WB-CA-AF:	210"-156"-47" D17	CITY:	---		
		BODY MATL:	BOLTED STAINLESS STEEL	STATE:	--		
		PUMP:	HALE QMAX 1500	DLR:	--		
		TANK:	1250/25 UPF POLY-TANK III	CAD:	GROSSMAN		
		FOAM SYSTEM:	PRE-PIPE	DATE:	29 DECEMBER 2020		
		GENERATOR:	N/A	FILE:	FC94HQRP-A		

Toyne
Built to take the call

BREDA, IA 51436
800-648-3358
WWW.TOYNE.COM

FC-94 DEMO
CUSTOM PUMPER