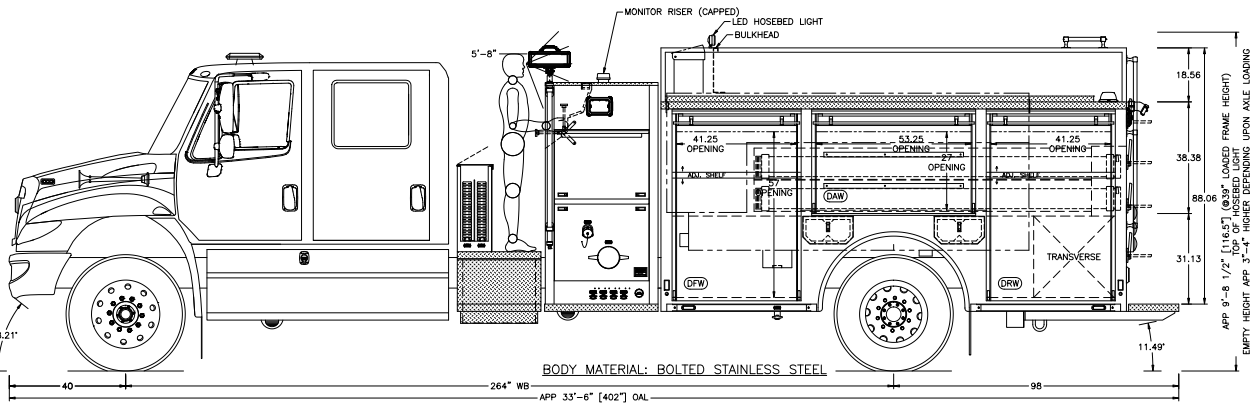
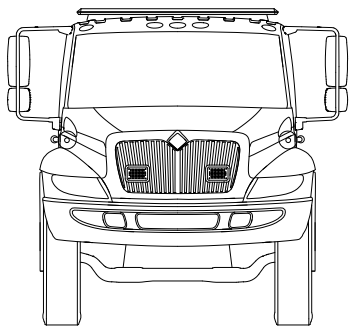
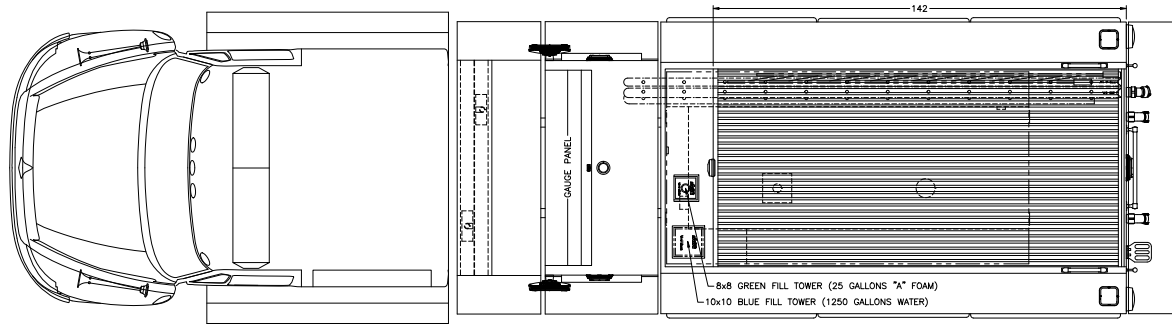


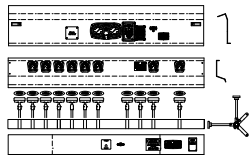
TREDBRITE TEXTURE NOT SHOWN IN TOP VIEW

REFERENCE SCALE IN INCHES

COMP.	HEIGHT	WIDTH	USABLE DEPTH		DIVIDE	FT
			UPPER	LOWER		
DFW	67.12	47.88	14	26	28	35.35
DAW	67.12	63.75	14	-	-	19.18
DRW	67.12	44.00	14	26	28	32.49
PFW	67.12	47.88	14	26	28	35.35
PAW	37.12	63.75	14	-	-	19.18
FRW	67.12	44.00	14	26	28	32.49
R-1	70.12	44.00	-	30	-	53.56
HOSEBED	14	68	-	142	-	78.23
FRONT X-LAY	25.75	4.62	-	73.75	-	5.08
REAR X-LAY	25.75	4.62	-	73.75	-	5.08



**NOTE:**  
 DIMENSIONS SHOWN ARE APPROXIMATE AND ARE SUBJECT TO MINOR CHANGE AS MAY BE FOUND NECESSARY DURING CONSTRUCTION. MINOR DETAILS MAY NOT BE SHOWN. IF DISCREPANCIES EXIST BETWEEN THIS DRAWING AND THE WRITTEN SPECIFICATIONS PROVIDED BY TOYNE, THE WRITTEN SPECIFICATIONS SHALL PREVAIL.



ISR/BUILD	24JUL18	CHASSIS:	IHC MV607 CREWCAB	SCALE:	1/66	SHEET:	A
		WB-CA-AF:	264"-153"-47" D16	CITY:	DEMO		
		BODY MATL:	BOLTED STAINLESS STEEL	STATE:	DEMO		
		PUMP:	HALE QFLO 1250	DLR:	?		
		TANK:	1250/25 UPF POLY-TANK III	CAD:	KOSTER		
		FOAM SYSTEM:	PRE-PIPED	DATE:	24 JULY 2018		
		GENERATOR:	N/A	FILE:	12394-A		

**Toyne**  
 Built to take the call.

BREDA, IA 51436  
 800-648-3358  
 WWW.TOYNE.COM

**12394 DEMO**  
 COMMERCIAL PUMPER